



## **Rallijsprints „ALŪKSNE 2017”**

Date: 12.01.2017.

Time: 11:00

Subject: **BIĻETENS Nr. 1 / BULLETIN NO 1**

---

From: Sacensību vadītāja / TheClerk of the Course

To: Visiem dalībniekiem / All Competitors (Crew Members)

---

**1.Sekojošas izmaiņas rallija papildus nolikuma punktā 2.3.3.**

**1.Following changes are in rally supplementary regulations point 2.3.3.**

Dalībnieku tiesnesis ~~Jānis Patmalnieks (LVA)~~  
Competitors' Relations Officer Ivars Kalniņš (LVA)

**2.Pievienota jauna maršruta karte (Pielikums Nr. 1 )**

**2.New rally itineary attached (Appendix No 1 )**

**3.Sekojošas izmaiņas rallija leģendā 19. lpp un 33. lpp:**

**3.Following changes are in the Road book on page 19 and 33:**

Gatis Cimdiņš

Sacensību vadītājs / Clerk of the Course

Biļetens apstiprināts LAF SAK 11.01.2017

Bulletin confirmed in LAF SAK commission 11.01.2017

# Pielikums Nr.1

## Appendix Nr.1

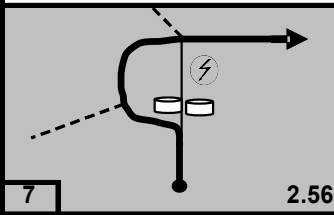
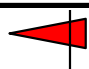

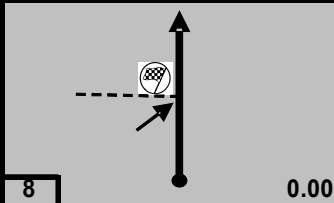

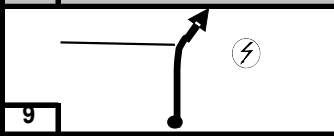


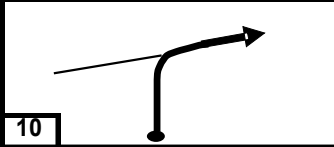
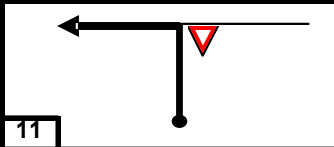

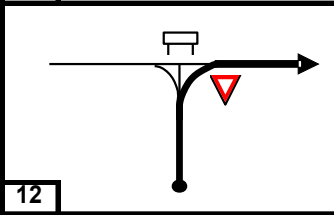



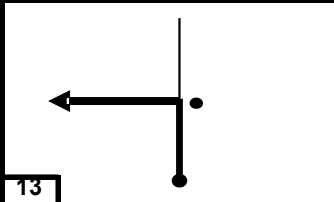

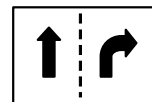
Maršruta karte/TIME TABLE

LK/PS	Vietas nosaukums	PS km	Pārbrauciens	Kopā	km/h	Laika norma	1 a/m laiks
TC/SS	Location	SS km	Liasion km	Total km	Average Speed	Target time	1st car due
3B(0)	TC3B (0) Alūksne						8:45
<b>RZ1</b>	<b>Refuel - All competitors</b>	<b>23.70</b>	<b>55.69</b>	<b>79.39</b>			
	<b>Distance to next refuel</b>						
4 (1)	TC4 (1) Skrejas-1		9.64	9.64	48.20	0:12	8:57
<b>SS 4(1)</b>	<b>SS4(1) Māriņkalns-1</b>	<b>7.89</b>					<b>9:00</b>
5 (2)	TC5 (2) Niedras-1		5.00	12.89	51.56	0:15	9:15
<b>SS 5(2)</b>	<b>SS5(2) Ozolkalni-1</b>	<b>5.01</b>					<b>9:18</b>
6 (3)	TC6 (3) Sauleskalns-1		16.99	22.00	52.8	0:25	9:43
<b>SS 6(3)</b>	<b>SS6(3) Korneiti-1</b>	<b>10.80</b>					<b>9:46</b>
6A (3A)	Alūksne regroup in		24.06	34.86	56.53	0:37	10:23
	2 SEKCIJA/SECTION 2	23.70	55.69	79.39			
6B (3B)	regroup out-service in					0:15	10:38
<b>SP A</b>	<b>Service park "ALUKSNE"</b>	<b>23.70</b>	<b>55.69</b>	<b>79.39</b>		<b>0:30</b>	
6C (3C)	Alūksne service out						11:08
<b>RZ2</b>	<b>Refuel - All competitors</b>	<b>23.70</b>	<b>55.69</b>	<b>79.39</b>			
	<b>Distance to next refuel</b>						
7 (4)	TC7 (4) Skrejas-2		9.64	9.64	48.20	0:12	11:20
<b>SS 7(4)</b>	<b>SS7(4) Māriņkalns-2</b>	<b>7.89</b>					<b>11:23</b>
8 (5)	TC8 (5) Niedras-2		5.00	12.89	51.56	0:15	11:38
<b>SS 8(5)</b>	<b>SS8(5) Ozolkalni-2</b>	<b>5.01</b>					<b>11:41</b>
9 (6)	TC9 (6) Sauleskalns-2		16.99	22.00	52.8	0:25	12:06
<b>SS 9(6)</b>	<b>SS9(6) Korneiti-2</b>	<b>10.80</b>					<b>12:09</b>
9A (6A)	Alūksne regroup in		24.06	34.86	56.53	0:37	12:46
	3 SEKCIJA/SECTION 3	23.70	55.69	79.39			
9B (6B)	regroup out-service in					0:15	13:01
<b>SP B</b>	<b>Service park "ALUKSNE"</b>	<b>23.70</b>	<b>111.38</b>	<b>158.78</b>		<b>1:10</b>	
9C (6C)	Alūksne service out						14:11
<b>RZ3</b>	<b>Refuel - All competitors</b>	<b>14.79</b>	<b>19.87</b>	<b>34.66</b>			
	<b>Distance to next refuel</b>						
10 (7)	TC10 (7) Cirakalns-2		16.43	16.43	49.29	0:20	14:31
<b>SS 10(7)</b>	<b>SS10(7) Lūkumietis-2</b>	<b>14.79</b>					<b>14:34</b>
11 (8)	Alūksne regroup in		3.44	18.23	54.69	0:20	14:54
	4 SEKCIJA/SECTION 4	14.79	19.87	34.66			
<b>Kopā:</b>		<b>62.19</b>	<b>131.25</b>	<b>193.44</b>		<b>32%</b>	

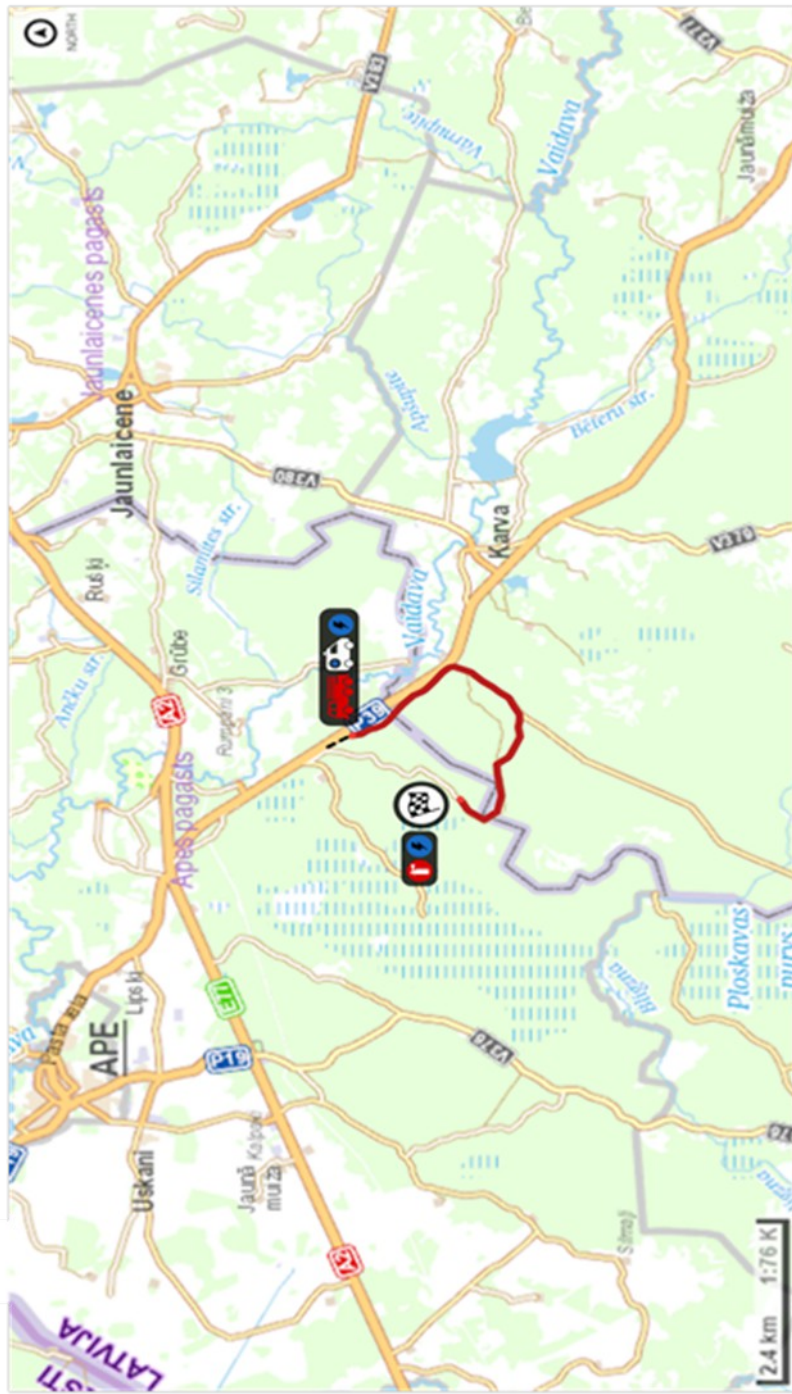
2. SEKCIJA / SECTION 2

3. SEKCIJA / SECTION 3

4. SEKCIJA / SECTION 4

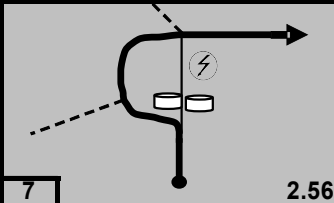
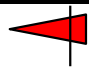

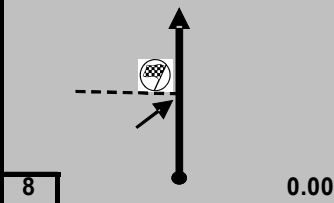

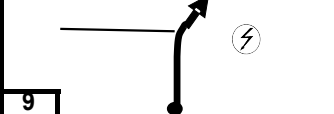


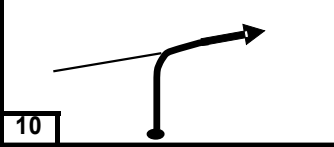
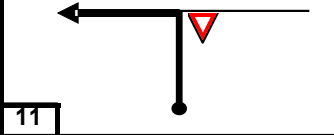

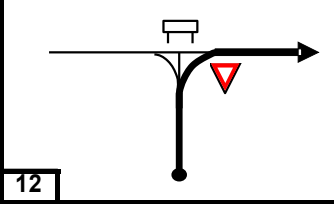



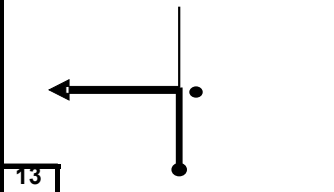

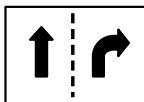
TC 5 Niedras 1		Distance....22,00 km.		Page
TC 6 Sauleskalns 1		Time allowed 25'		<b>19</b>
		Average.....52,80 Kph.		Section
				<b>1</b>
<b>SS 5 Ozolkalni 1 7.19 km 5.01 km.</b>				
Kms		DIRECTION	INFORMATION	Kms to TC
Total	Inter			
4.63	1.78		  R-1 N 57°29'443'' E 26°45'525''	17.37
7.19	2.56		 SS 5 Finish N 57°49'299'' E 26°76'382''	14.81
7.43	0.24		  Radio N 57°30'599'' E 26°46'477''	14.57
7.43	2.21			14.57
7.55	0.12			14.45
9.67	2.12		  	12.33
21.16	11.49		 	0.84
	0.84			

SS 5,8 Ozolkalni - 1 ~~7.19 km.~~ **5.01 km**



TC 7 Niedras 2	Distance....22,00 km.	Page
	Time allowed 25'	<b>33</b>
TC 8 Sauleskalns 2	Average.....52,80 Kph.	Section
		<b>2</b>

**SS 8 Ozolkalni 2 7.19-km 5.01 km.**

Kms		DIRECTION	INFORMATION	Kms to TC
Total	Inter			
4.63	1.78		  R-1 N 57°29'443'' E 26°45'525''	17.37
7.19 <b>5.01</b>	2.56 <b>0.38</b>		 SS 8 Finish <b>N 57°49'299''</b> <b>E 26°76'382''</b>	14.81 <b>16.99</b>
7.43 <b>5.22</b>	0.24 <b>0.21</b>		  Radio N 57°30'599'' E 26°46'477''	14.57 <b>16.78</b>
7.43	2.21			14.57
7.55	0.12			14.45
9.67	2.12		  	12.33
21.16	11.49		 	0.84
	<b>0.84</b>			